

PLEASE CHECK WWW.MOLEX.COM FOR LATEST PART INFORMATION

Part Number: [0050650048](#)
Status: **Active**
Overview: [cgrid_sl_products](#)
Description: 2.54mm (.100") Pitch, SL™ Dual Row Wire-to-Wire Panel Mount, 48 Circuits

Documents:

[3D Model](#) [Drawing \(PDF\)](#)
[Packaging Specification \(PDF\)](#) [RoHS Certificate of Compliance \(PDF\)](#)

Agency Certification

CSA LR19980
 UL E29179

General

Product Family Accessories
 Series [70022](#)
 Component Type Branch
 Overview [cgrid_sl_products](#)
 Product Name SL™

Physical

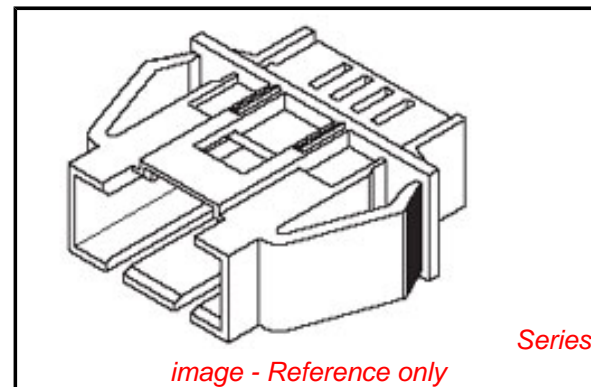
Circuits (Loaded) 48
 Color - Resin Black
 Flammability 94V-0
 Lock to Mating Part Yes
 Material - Resin Polyester
 Packaging Type Bag

Material Info

Old Part Number 70022-0048

Reference - Drawing Numbers

Packaging Specification PK-70022-100
 Sales Drawing SD-70022-****



EU RoHS

**ELV and RoHS
 Compliant**
REACH SVHC
 Not Reviewed
**Halogen-Free
 Status**
Not Reviewed

China RoHS



**Need more information on product
 environmental compliance?**

Email productcompliance@molex.com
 For a multiple part number RoHS Certificate of
 Compliance, [click here](#)

Please visit the [Contact Us](#) section for any
 non-product compliance questions.

Search Parts in this Series

[70022Series](#)

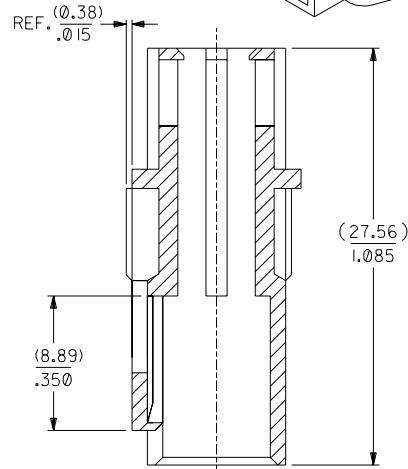
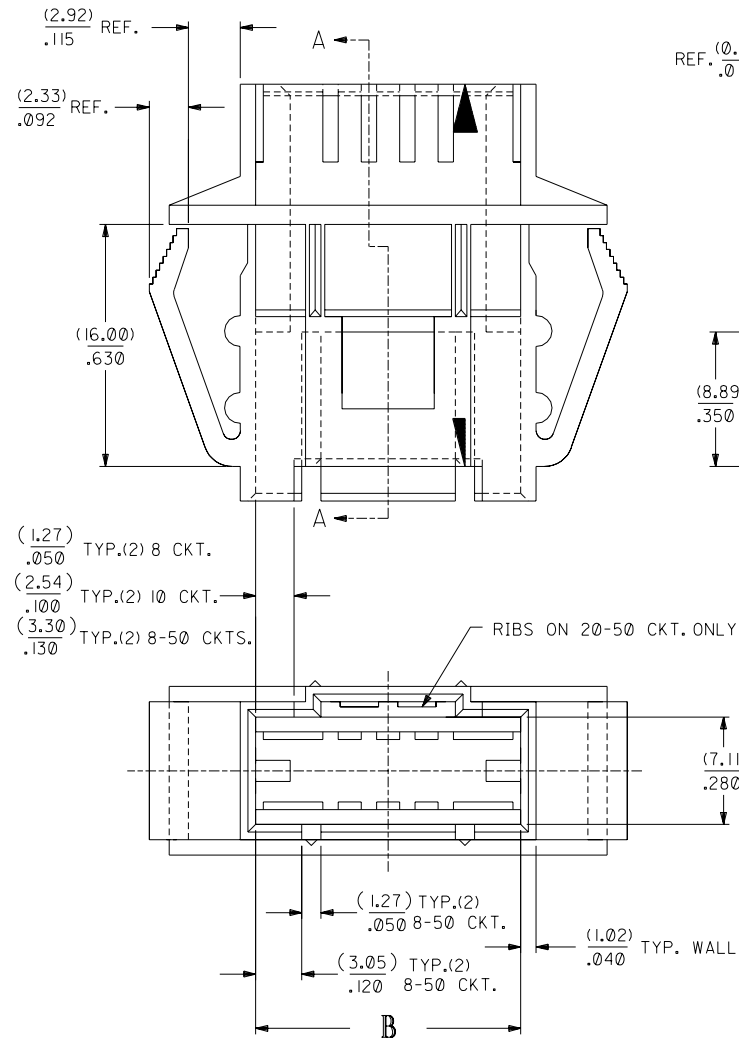
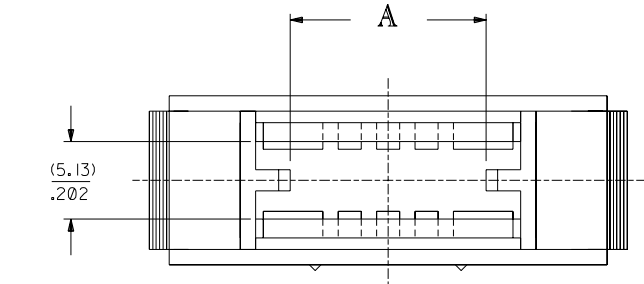
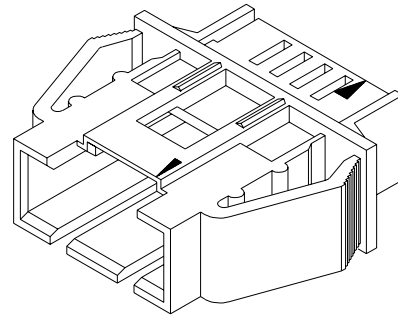
Use With

[70066](#) SL™ Crimp Housing. [70475](#) SL™
 IDT Connector Assembly. [70431](#) SL™ FFC/
 FPC Connector

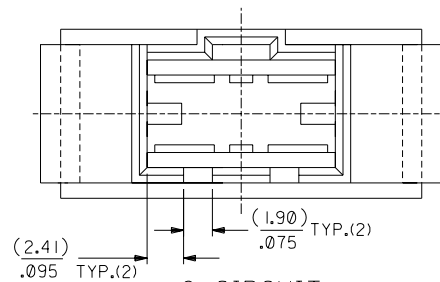
OPTION "A"

NOTES:

- 1) MATERIAL: POLYESTER 94V-0, GLASS FILLED, COLOR: BLACK
- 2) SEE CHART FOR CIRCUIT SIZES.
- 3) HOUSING TO BE USED WITH 70475 SERIES HOUSINGS (OPTION D) AND DUAL ROW INTERIM CLIP 70013-N*. SEE PAGE 2 FOR ADDITIONAL 50 CIRCUIT, OPTION "A" MATING INTERIM CLIPS.
- 4) PANEL THICKNESS (0.81)/.032 - (2.36)/.093.
- 5) PACKAGE PER PK-70022-100.



SECTION A-A



6 CIRCUIT

| OPTION "A" | | | | |
|------------|------------|--------------|------------------|------------------|
| CKT. SIZE | EDP. NO. | ENG. NO. | DIM. "A" | DIM. "B" |
| 4 | NOT TOOLED | X-70022-0009 | (5.21) .205 | (9.91) .390 |
| 6 | 50-65-0006 | 70022-0001 | (7.75) .305 | (12.45) .490 |
| 8 | 50-65-0008 | 70022-0007 | (10.29) .405 | (14.99) .590 |
| 10 | 50-65-0010 | 70022-0002 | (12.83) .505 | (17.53) .690 |
| 12 | 50-65-0012 | 70022-0012 | (15.37) .605 | (20.07) .790 |
| 14 | 50-65-0014 | 70022-0014 | (17.91) .705 | (22.61) .890 |
| 16 | 50-65-0016 | 70022-0016 | (20.45) .805 | (25.15) .990 |
| 18 | 50-65-0018 | 70022-0018 | (22.99) .905 | (27.69) 1.090 |
| 20 | 50-65-0020 | 70022-0003 | (25.53) 1.005 | (30.23) 1.190 |
| 22 | 50-65-0022 | 70022-0022 | (28.07) 1.105 | (32.77) 1.290 |
| 24 | 50-65-0024 | 70022-0024 | (30.61) 1.205 | (35.31) 1.390 |
| 26 | 50-65-0026 | 70022-0026 | (33.15) 1.305 | (37.85) 1.490 |
| 28 | 50-65-0028 | 70022-0028 | (35.69) 1.405 | (40.39) 1.590 |
| 30 | 50-65-0030 | 70022-0004 | (38.23) 1.505 | (42.93) 1.690 |
| 32 | 50-65-0032 | 70022-0032 | (40.77) 1.605 | (45.47) 1.790 |
| 34 | 50-65-0034 | 70022-0034 | (43.31) 1.705 | (48.01) 1.890 |
| 36 | 50-65-0036 | 70022-0036 | (45.85) 1.805 | (50.55) 1.990 |
| 38 | 50-65-0038 | 70022-0038 | (48.39) 1.905 | (53.09) 2.090 |
| 40 | 50-65-0040 | 70022-0005 | (50.93) 2.005 | (55.63) 2.190 |
| 42 | 50-65-0042 | 70022-0042 | (53.47) 2.105 | (58.17) 2.290 |
| 44 | 50-65-0051 | 70022-0044 | (56.01) 2.205 | (60.71) 2.390 |
| 46 | 50-65-0046 | 70022-0046 | (58.55) 2.305 | (63.25) 2.490 |
| 48 | 50-65-0048 | 70022-0048 | (61.09) 2.405 | (65.79) 2.590 |
| 50 | 50-65-0050 | 70022-0006 | (63.63) 2.505 | (68.33) 2.690 |

| | |
|---|---|
| 3 | P |
| 2 | P |
| 1 | O |

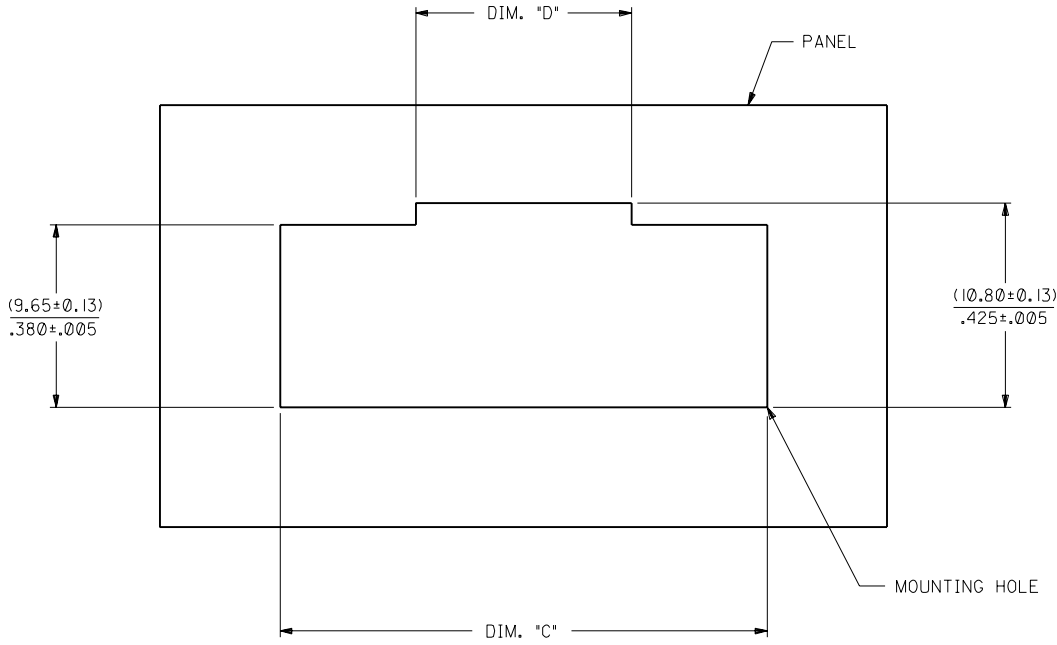
MFG. SH. REV.

| | | | |
|------|---|------|--|
| Q | ADD EJECTOR BUMPS UCP2004-1610 RWHITE 04/02/23 | NI | ADDED SHEET 4 50 CKT KEYING OPT ENC = U80986 11/17/97 - HPA |
| P | VOID OPTION B ECN UDT2001-0578 SCHAFFER 00/12/5 | N | REVISED PER ECN# U10463 1-11-91 MGB |
| O | ADD PKG NOTE PER UDT2000-0468 SCHAFFER 99/12/1 | M | RELACES SD-70022 -0001-0048 PER ECR = U00500 06-28-90 MJM/DJK |
| LTR. | REVISIONS | LTR. | REVISIONS |

| | |
|---|----------------|
| DIMENSIONS SHOWN (METRIC) INCH | |
| UNLESS OTHERWISE SPECIFIED TOLERANCES: ANGULAR ± 1/2° | |
| 3 PLACE ± .010 | --- |
| 2 PLACE ± .014 | ± 0.25 |
| 1 PLACE --- | ± 0.35 |
| DRAFT WHERE APPLICABLE MUST REMAIN WITHIN DIMENSIONS | |
| DRWG. BY: DJK | CHK'D. BY: MJM |
| APP'D. BY: MJM | SCALE: 4:1 |

= 0 = 0 REVISE ONLY ON CAD SYSTEM
 TITLE: HOUSING, PANEL MOUNT (DUAL ROW) (OPT. D HSG. TO DUAL ROW CLIP)
 MOLEX INCORPORATED SHEET NO. 1 of 3 DATE 06/28/90
 LITTLE, ILL. 60532 U.S.A.
 SEE CHART SD-70022-****
 FILE NAME: S70022X3.DWG DIV. DA SIZE C

| CKT. SIZE | DIM. "C" ±(0.13)/.005 | DIM. "D" ±(0.13)/.005 |
|-----------|--------------------------|--------------------------|
| 4 | (18.16) .715 | (8.64) .340 |
| 6 | (20.70) .815 | (8.64) .340 |
| 8 | (23.24) .915 | (8.89) .350 |
| 10 | (25.78) 1.015 | (11.43) .450 |
| 12 | (28.32) 1.115 | (13.97) .550 |
| 14 | (30.86) 1.215 | (16.51) .650 |
| 16 | (33.40) 1.315 | (19.05) .750 |
| 18 | (35.94) 1.415 | (21.59) .850 |
| 20 | (38.48) 1.515 | (24.13) .950 |
| 22 | (41.02) 1.615 | (26.67) 1.050 |
| 24 | (43.56) 1.715 | (29.21) 1.150 |
| 26 | (46.10) 1.815 | (31.75) 1.250 |
| 28 | (48.64) 1.915 | (34.29) 1.350 |
| 30 | (51.18) 2.015 | (36.83) 1.450 |
| 32 | (53.72) 2.115 | (39.37) 1.550 |
| 34 | (56.26) 2.215 | (41.91) 1.650 |
| 36 | (58.80) 2.315 | (44.45) 1.750 |
| 38 | (61.34) 2.415 | (46.99) 1.850 |
| 40 | (63.88) 2.515 | (49.53) 1.950 |
| 42 | (66.42) 2.615 | (52.07) 2.050 |
| 44 | (68.96) 2.715 | (54.61) 2.150 |
| 46 | (71.50) 2.815 | (57.15) 2.250 |
| 48 | (74.04) 2.915 | (59.69) 2.350 |
| 50 | (76.58) 3.015 | (62.23) 2.450 |



OPTION "A"
RECOMMENDED MOUNTING
HOLE LAYOUT

| | |
|---|-------------|
| P | SEE SHEET I |
| M | SEE SHEET I |

| | | | | | | | |
|--|--|----------------------|--|---|--|---------------------------|--|
| DIMENSIONS SHOWN (METRIC) INCH | | ▽ = 0 | | ▽ = 0 | | REVISE ONLY ON CAD SYSTEM | |
| UNLESS OTHERWISE SPECIFIED TOLERANCES ANGULAR ± 1/2° | | TITLE | | HOUSING, PANEL MOUNT (DUAL ROW) (OPT. D HSG. TO DUAL ROW CLIP) | | SHEET NO. 3 | |
| 3 PLACE ± --- --- | | INCH | | METRIC | | DATE 06/28/90 | |
| 2 PLACE ± --- ± --- | | 1 PLACE --- ± --- | | DRAFT WHERE APPLICABLE MUST REMAIN WITHIN DIMENSIONS | | PART NO. SD-70022-XXXX | |
| DRAWN BY DJK | | CHK'D BY MJM | | SCALE --- : --- | | DIV. DA | |
| APP'D BY MJM | | FILE NAME S70022.XGS | | THIS DRAWING CONTAINS INFORMATION THAT IS PROPRIETARY TO MOLEX INC. AND SHOULD NOT BE USED WITHOUT WRITTEN PERMISSION | | SIZE | |

70022